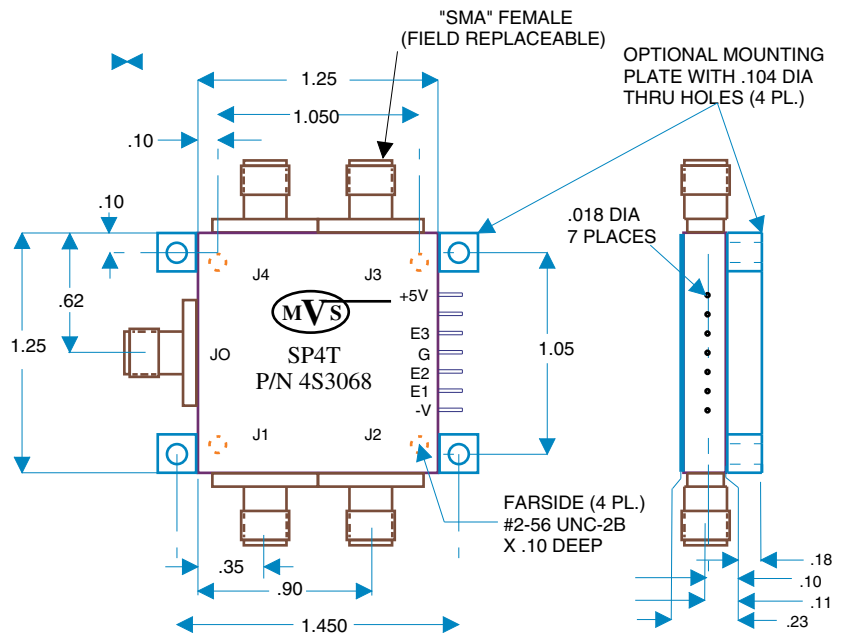


4S3060 SERIES

SP4T SWITCHES
(2 - 18 GHz)

- Reduced Harmonics
- Integral TTL Drivers
- Miniature Size
- Removable Connectors
- Optional Mounting Plate
- -55°C to +125°C Operation



SPECIFICATIONS

MODEL NUMBER	FREQUENCY RANGE (GHz)	VSWR MAX.	INSERTION LOSS (dB) MAX.	ISO. (dB) MIN.
4S3065	2 - 8	1.8	1.5	60
4S3066	4 - 12	1.8	2.0	60
4S3067	6 - 18	2.0	2.6	55
4S3068	2 - 18	2.0	2.9	55

Switching Speed (50% TTL to 10/90% RF)	50 ns Max
Harmonic Generation (@ +20 dBm)	60 dBc Max
TTL Control (4 Line)	"0" Select
RF Power (No Performance Degradation)	+27 dBm
Power Supply Requirements	+5V @ 100 mA -15V @ 50 mA
Operating Temperature Range	-55° to +125°C

OPTIONS AVAILABLE

- Mounting Plate
- Alternate Configurations
- Logic Decoding
- Isolations to 80 dB
- Alternate Power Supplies
- Integration of Filters
- Integration of Limiters
- Custom Screening

The 4S3060 Series with internal drivers are sealed, integrated switching networks, using passivated PIN diodes, thereby minimizing electrical parasitics. This enables the SP4T switches to work over extremely wide bandwidths. These switches are ruggedly built and conservatively rated to insure highly reliable operation. The 4S3060 Series incorporates a TTL PIN diode driver integrated with the MVS solid state RF section and bias filtering circuits. MVS switches are ideally suited for microwave sub-assemblies, where many system functions must be integrated together. The 4S3060 Series is perfect for high-speed channel selection or pulse modulation.

An optional mounting plate is available to provide clearance for the mating of an SMA male connector. (Add the suffix MP to the part number for the mounting plate. Example 4S3068-MP)